

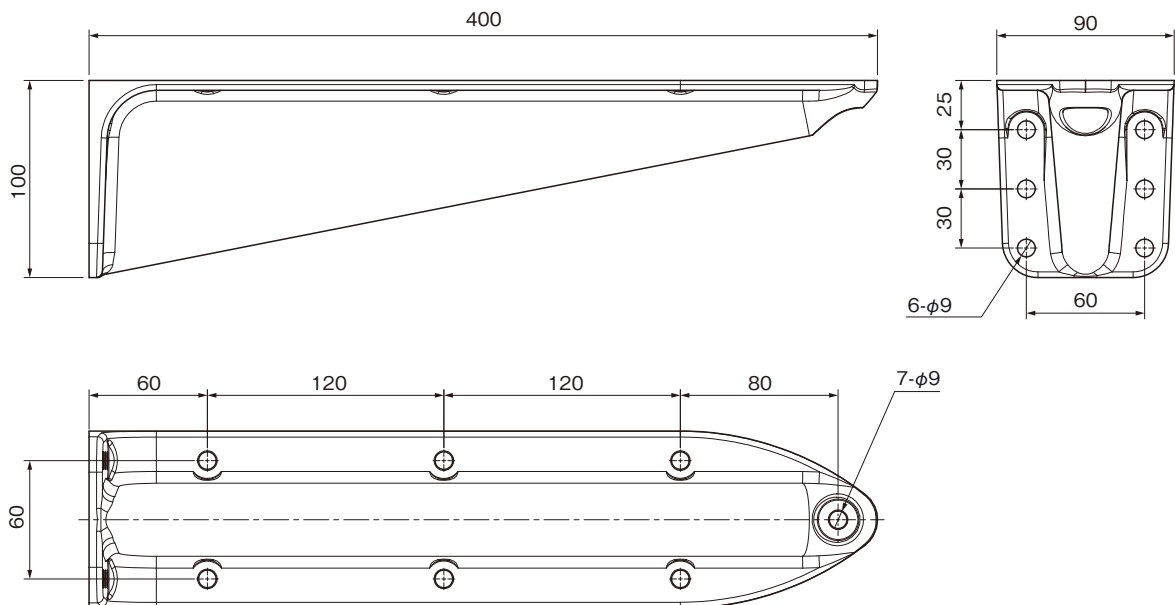
# G332 Heavy-duty counter table bracket



- Metal fitting for heavy counter table
  - Load capacity: 2450N (250kgf) per 1 pcs
  - Metal fitting doesn't stand out, because wall mounting part is not so big.
  - Material/Aluminum alloy (ADC)
  - Accessories/Truss 8×25 (Black paint, White paint) for table  
Truss 8×40 (Black paint, White paint) for wall surface
- ※ Use the strong material for wall to install

## Specification

Product number	Finishing	Quantity
G332-BK	Black	16pcs
G332-WH	White	



**Kojima** METAL FITTING CORPORATION

Head office 3-4-1 Motoasakusa, Taito-ku, Tokyo 111-0041, Japan  
TEL +81-3-3843-3141 FAX +81-3-3843-3144

Kasukabe branch 1-26-20 Kasukabehigashi, Kasukabe-shi, Saitama 344-0062, Japan  
TEL +81-48-760-3881 FAX +81-48-760-3883

✉ [kojima\\_global@kojima-mf.co.jp](mailto:kojima_global@kojima-mf.co.jp)

