

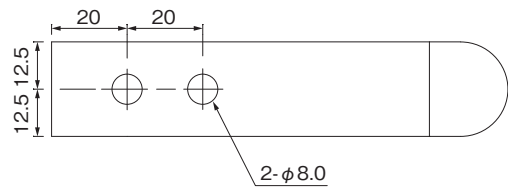
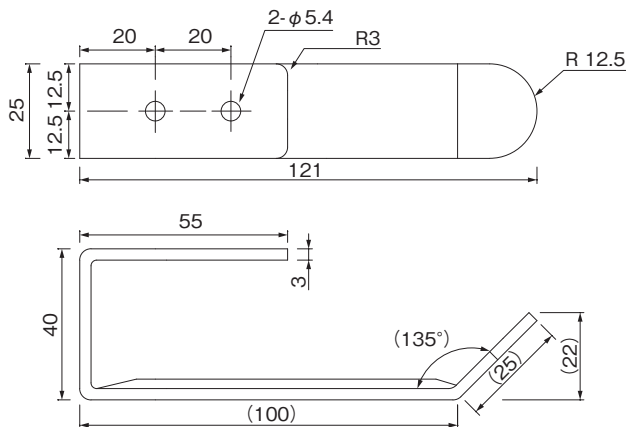
# G553 Under-counter hooks



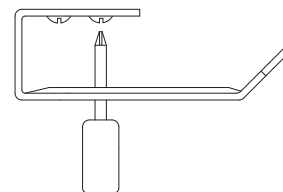
- These hooks are designed to attach to the underside of counters, countertops, shelves, etc.
- The curved hooks provide gentle support for the items being hung.
- Load capacity/10kgf
- Material/Steel
- Accessories/G553-BK/TAP truss 4.5×25 Black zinc 2pcs  
G553-WH/TAP truss 4.5×25 White baked finish 2pcs

Specification dimensions		Unit: mm
Product No.	Finish	Quantity
G553-BK	Black baked finish	20pcs
G553-WH	White baked finish	20pcs

## Usage example



## How to install



**KOJIMA** METAL FITTING CORPORATION

Head office 3-4-1 Motoasakusa, Taito-ku, Tokyo 111-0041, Japan  
TEL +81-3-3843-3141 FAX +81-3-3843-3144

Kasukabe branch 1-26-20 Kasukabehigashi, Kasukabe-shi, Saitama 344-0062, Japan  
TEL +81-48-760-3881 FAX +81-48-760-3883

<https://www.kojima-mf.co.jp/english/>  
✉ [kojima\\_global@kojima-mf.co.jp](mailto:kojima_global@kojima-mf.co.jp)

Website

