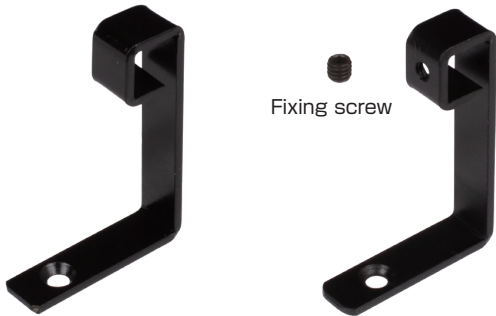


Q503 Square fall blocking

- 9mm square sharp designed fall blocking
- End caps are also available
- Finish/ Black baked paint
- Material/ Steel
- Recommended screw/ 3.5mm flat head screw
- ※ Handle with care as scratches are easily noticeable on the black baked finish.
- ※ Q503-F is a fixed type. Use the D901-2 hex wrench to tighten the fixing screws and secure the square pipe.
- ※ Hex wrench sold separately



Q503-C (Flexible to move)

Q503-F (Fix)

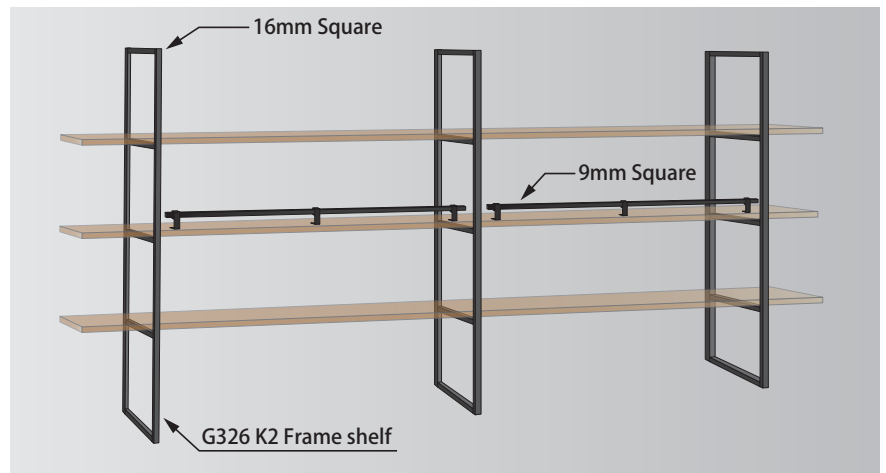
Specification dimensions				Unit: mm
Product number	Material	Finish	Product content	Quantity
Q503-C	Steel	Black baked paint	Flexible to move	200pcs
Q503-F			Fix	
Q503-9-800			9mm Square pipe L800	100pcs
Q503-9-1500	9mm Square pipe L1,500			
Q503-9-CAP	PE	Black	End cap	200pcs
Q503-9-CAP-90C	ASA		90° Corner cap	
D901-2	Steel	Material/Black	Hex wrench	500pcs



Usage example



Installation image



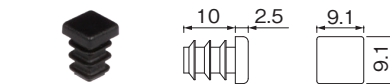
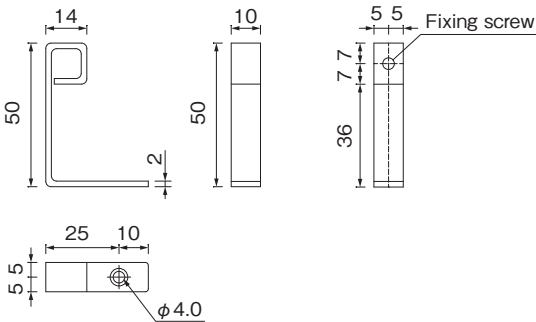
Conjunction with a G326 K2 frame shelf is also recommended.

Q503-C (Flexible to move)

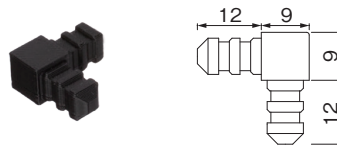
Q503-F (Fix)

Q503-9-CAP End cap

D901-2 Hex wrench

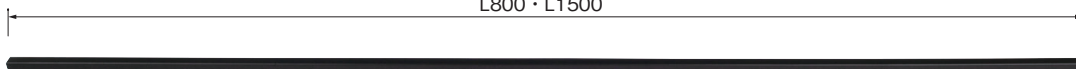


Q503-9-CAP-90C 90° Corner cap



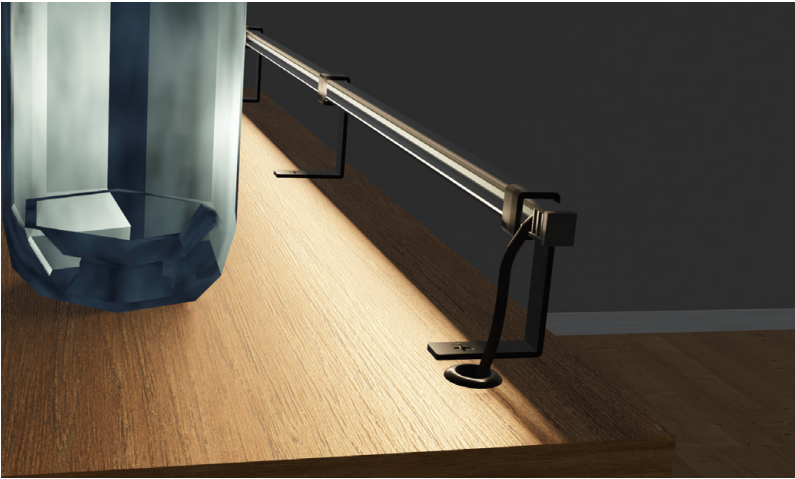
Q503-9-800 / Q503-9-1500

L800 · L1500



9mm Square pipe

Q503 K₂ Square fall blocking LED Specification



- LED strip lights with a width of 5mm or less can be installed into.
- ※ The LED strip light is not included.

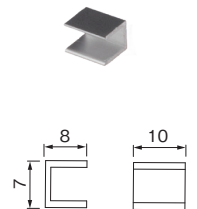
Specification dimensions

Product number	Material	Finish	Product contents	Quantity	Unit: mm
Q503-K-1000	Aluminum	Black baked paint	9mm U-shaped L1,000	100pcs	
Q503-K-ROCK		Silver	U-shaped bracket	100pcs	

Q503-K-1000



Q503-K-ROCK

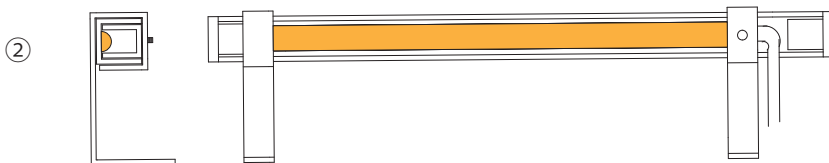


Installation method

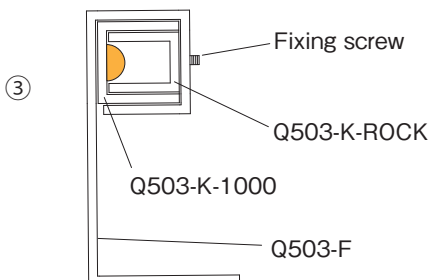


Attach the LED strip light to Q503-K-1000

※ Cut the Q503-K-1000 and LED strip light to the desired size before applying.



Pass Q503 (Flexible to move)/ Q503-F (Fix) through the Q503-K-1000, then install Q503-K-ROCK as shown in the illustration.



Once the installation position has been determined, secure the Q503-K-ROCK in place with the fixing screws. At that time, be careful not to let the Q503-K-ROCK or fixing screws damage the LED or power cord.

※ The width of the LED or power cord where the Q503-K-ROCK is used must be 5mm or less.

